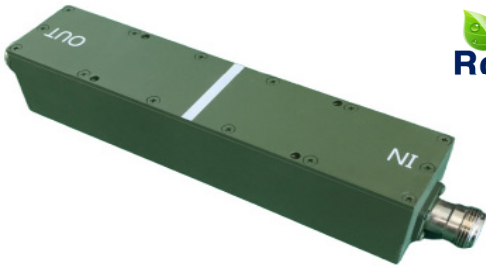


LC Lowpass Filter 50Ω

ZLL-49LP-MNF-100W



Features

- ROHS Compliant
- High power rating
- High rejection

Pricing

Quantity	Unit Price
1 ~ 10	₩ -
11 ~ 24	₩ -
25 ~ 49	₩ -
50 ~ 99	₩ -
100 ~	₩ -

Electrical Specifications

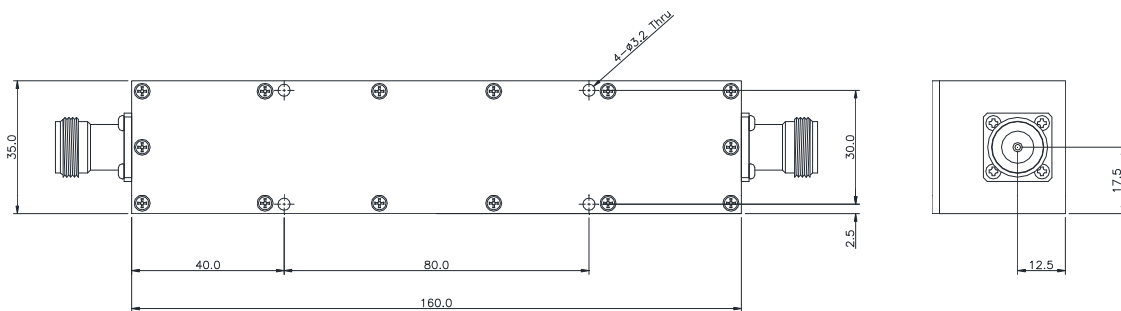
Parameter	Frequency (MHz)	Min.	Typ.	Max.	Unit
Cut Off frequency	49	-	49	-	MHz
Bandwidth	-	DC	-	49	MHz
Insertion Loss	DC ~ 49	-	1.5	2.0	dB
Ripple		-	-	-	dB
Return Loss		15.0	18.0	-	dB
Group Delay		-	-	-	ns
Group Delay Variation		-	-	-	ns
Attenuation		54	35.0	-	-
	60~500	80.0	-	-	dB
	-	-	-	-	dB
	-	-	-	-	dB
	-	-	-	-	dB

Maximum Ratings

Input Power Handling	100Watt max.
Operating Temperature	-10°C to 60°C
Storage Temperature	-40°C to 95°C

• Permanent damage may occur if any of these limits are exceeded.

Dimension



UNIT : mm
TOLERANCE
UNLESS
SPECIFIED : ±0.3



For product information and a complete list of distributors, please go to our website

address : (Heungdeok IT Valley Tower-2111) 13, Heungdeok 1-ro, Giheung-gu, Yongin-si, Gyeonggi-do, Republic of Korea 16954

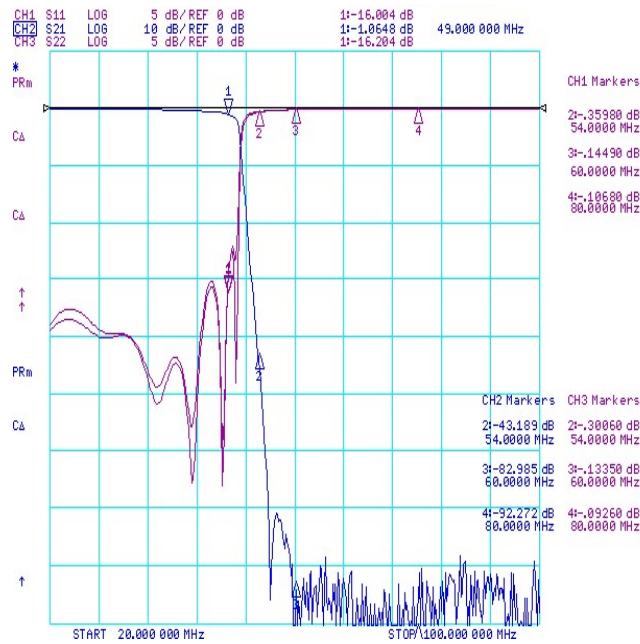
Tel : +82-31-8025-7100

Fax : +82-31-8025-7200

www.zenix08.com

Typical Performance Data at 25°C

• Insertion Loss , Attenuation , Return Loss



• Attenuation

