



### Features

- ROHS Compliant
- High power rating
- High rejection

### Pricing

Quantity	Unit Price
1 ~ 10	₩ 20,000
11 ~ 24	₩ 18,000
25 ~ 49	₩ 15,000
50 ~ 99	₩ 12,000
100 ~	₩ 10,000

### Electrical Specifications

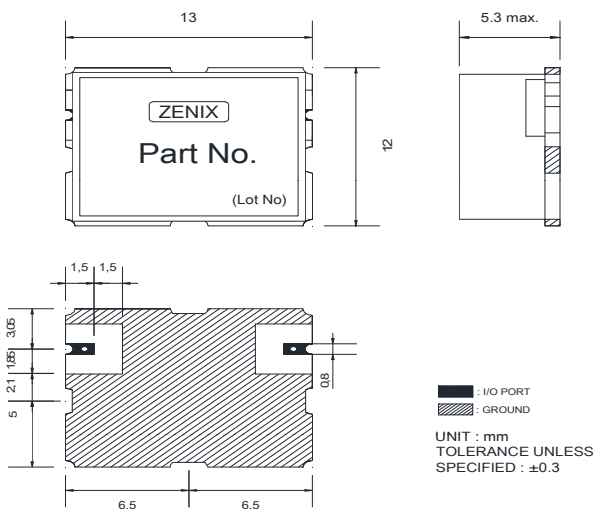
Parameter	Frequency (MHz)	Min.	Typ.	Max.	Unit
Cut Off frequency	210	-	210	-	MHz
Bandwidth	-	40	-	210	MHz
Insertion Loss	40 ~ 210	-	0.5	1.0	dB
Ripple		-	0.3	0.5	dB
Return Loss		16.0	18.0	-	dB
Group Delay		-	-	-	ns
Group Delay Variation		-	-	-	ns
Attenuation	300	10.0	-	-	dB
	-	-	-	-	dB
	-	-	-	-	dB
	-	-	-	-	dB
	-	-	-	-	dB

### Maximum Ratings

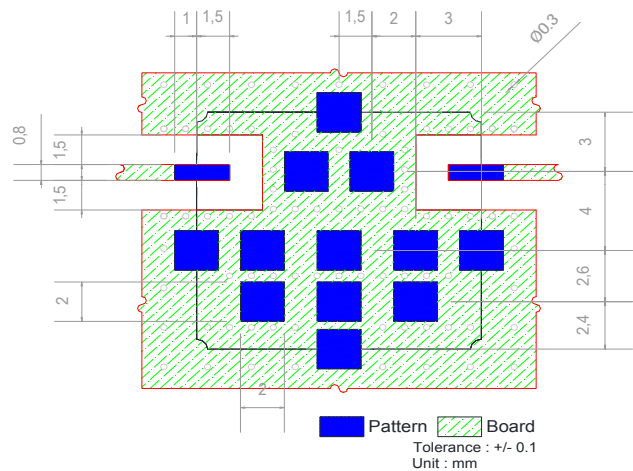
Input Power Handling	3Watt max.
Operating Temperature	-30°C to 70°C
Storage Temperature	-40°C to 95°C

• Permanent damage may occur if any of these limits are exceeded.

### Dimension

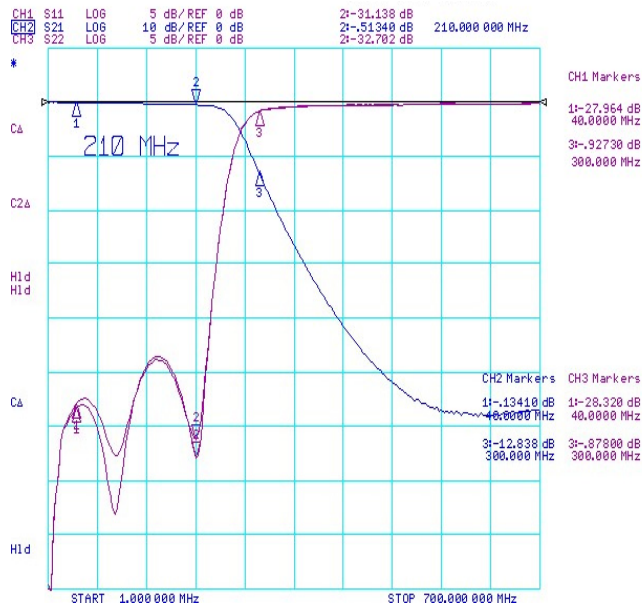


### PCB Layout



## Typical Performance Data at 25°C

- Insertion Loss , Attenuation , Return Loss



- Ripple

