



Features

- ROHS Compliant
- High power rating
- High rejection

Pricing

Quantity	Unit Price
1 ~ 10	₩ 25,000
11 ~ 24	₩ 23,000
25 ~ 49	₩ 21,000
50 ~ 99	₩ 18,000
100 ~	₩ 13,000

Electrical Specifications

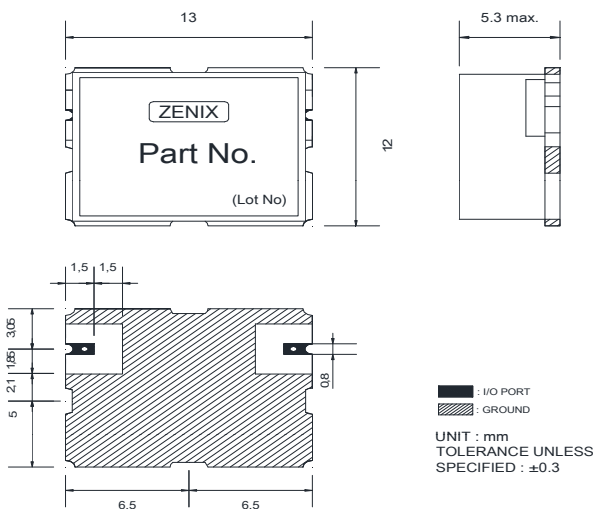
Parameter	Frequency (MHz)	Min.	Typ.	Max.	Unit
Cut Off frequency	1450	-	1450	-	MHz
Bandwidth	-	950	-	1450	MHz
Insertion Loss	950 ~ 1450	-	1.0	1.5	dB
Ripple		-	-	-	dB
Return Loss		14.0	15.0	-	dB
Group Delay		-	-	-	ns
Group Delay Variation		-	-	-	ns
Attenuation	1760~2260	40.0	-	-	dB
	-	-	-	-	dB
	-	-	-	-	dB
	-	-	-	-	dB
	-	-	-	-	dB

Maximum Ratings

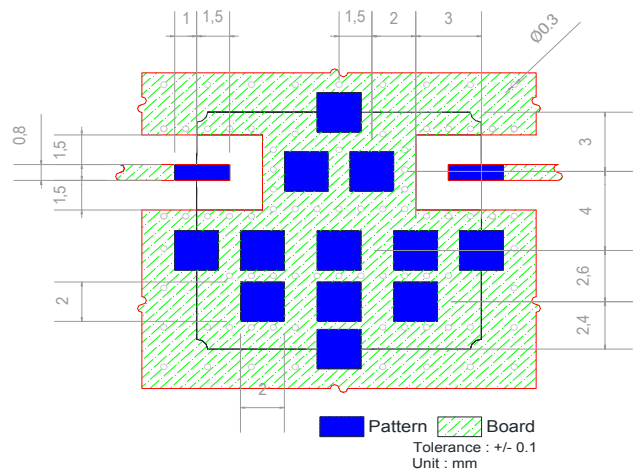
Input Power Handling	3Watt max.
Operating Temperature	-30°C to 70°C
Storage Temperature	-40°C to 95°C

• Permanent damage may occur if any of these limits are exceeded.

Dimension



PCB Layout



Typical Performance Data at 25°C

- Insertion Loss , Attenuation , Return Loss

