



### Features

- ROHS Compliant
- High power rating
- High rejection

### Pricing

Quantity	Unit Price
1 ~ 10	₩ 30,000
11 ~ 24	₩ 28,000
25 ~ 49	₩ 25,000
50 ~ 99	₩ 21,000
100 ~	₩ 16,000

### Electrical Specifications

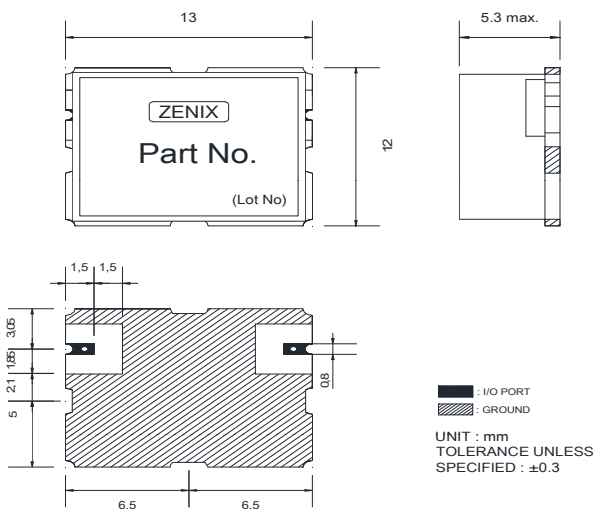
Parameter	Frequency (MHz)	Min.	Typ.	Max.	Unit
Center frequency	60	-	60	-	MHz
Bandwidth	2	59	-	61	MHz
Insertion Loss	59 ~ 61	-	1.5	2.0	dB
Ripple		-	0.3	0.5	dB
Return Loss		16.0	18.0	-	dB
Group Delay		-	-	-	ns
Group Delay Variation		-	-	-	ns
Attenuation	120	60.0	-	-	dB
	-	-	-	-	dB
	-	-	-	-	dB
	-	-	-	-	dB
	-	-	-	-	dB

### Maximum Ratings

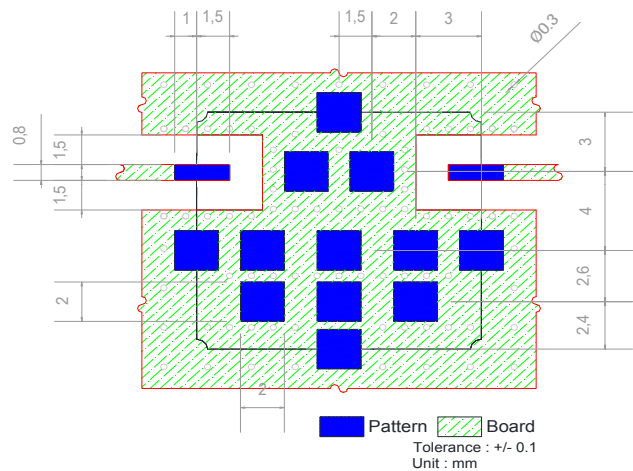
Input Power Handling	3Watt max.
Operating Temperature	-30°C to 70°C
Storage Temperature	-40°C to 95°C

• Permanent damage may occur if any of these limits are exceeded.

### Dimension



### PCB Layout



▣ Typical Performance Data at 25°C

- Insertion Loss, Ripple, Return Loss

