



**Features**

- ROHS Compliant
- High power rating
- High rejection

**Pricing**

Quantity	Unit Price
1 ~ 10	₩ 30,000
11 ~ 24	₩ 28,000
25 ~ 49	₩ 25,000
50 ~ 99	₩ 21,000
100 ~	₩ 16,000

**Electrical Specifications**

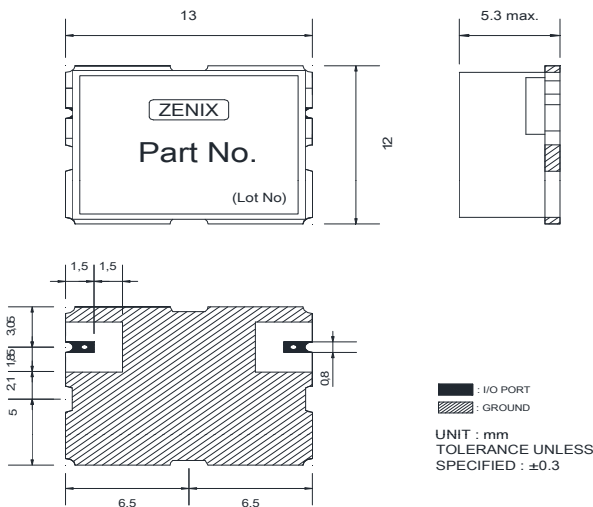
Parameter	Frequency (MHz)	Min.	Typ.	Max.	Unit
Center frequency	127	-	127	-	MHz
Bandwidth	4.4	124.8	-	129.2	MHz
Insertion Loss	124.8 ~ 129.2	-	4.0	4.5	dB
Ripple		-	0.5	1.0	dB
Return Loss		16.0	18.0	-	dB
Group Delay		-	-	-	ns
Group Delay Variation		-	-	-	ns
Attenuation		117.9	20.0	-	-
	200.5	60.0	-	-	dB
	-	-	-	-	dB
	-	-	-	-	dB
	-	-	-	-	dB

**Maximum Ratings**

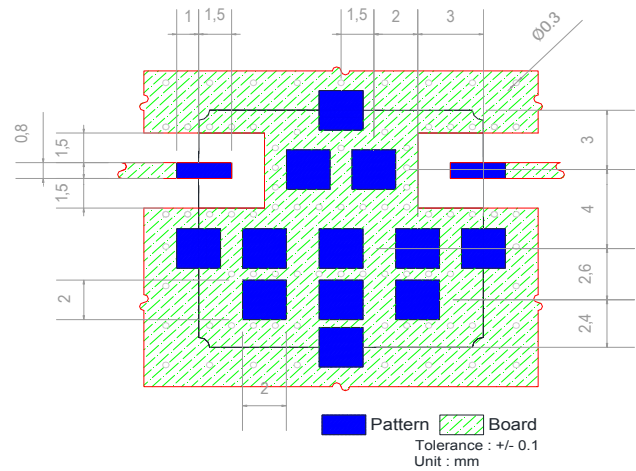
Input Power Handling	3Watt max.
Operating Temperature	-30°C to 70°C
Storage Temperature	-40°C to 95°C

• Permanent damage may occur if any of these limits are exceeded.

**Dimension**



**PCB Layout**



## Typical Performance Data at 25°C

- Insertion Loss, Ripple, Return Loss

