



Features

- ROHS Compliant
- High power rating
- High rejection

Pricing

Quantity	Unit Price
1 ~ 10	₩ 30,000
11 ~ 24	₩ 28,000
25 ~ 49	₩ 25,000
50 ~ 99	₩ 21,000
100 ~	₩ 16,000

Electrical Specifications

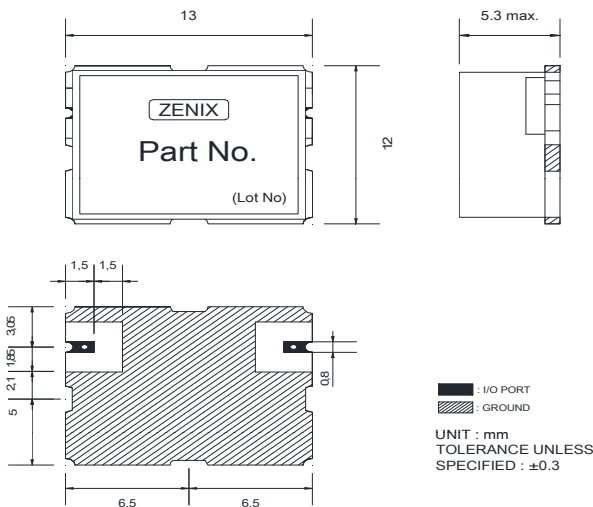
Parameter	Frequency (MHz)	Min.	Typ.	Max.	Unit
Center frequency	10	-	10	-	MHz
Bandwidth	2	9	-	11	MHz
Insertion Loss	9 ~ 11	-	1.5	2.0	dB
Ripple		-	-	0.5	dB
Return Loss		16.0	18.0	-	dB
Group Delay		-	-	-	ns
Group Delay Variation		-	-	-	ns
Attenuation	45~150	60.0	-	-	dB
	-	-	-	-	dB
	-	-	-	-	dB
	-	-	-	-	dB
	-	-	-	-	dB

Maximum Ratings

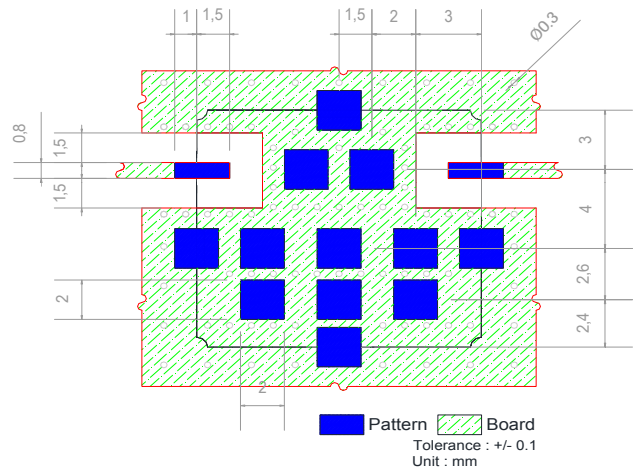
Input Power Handling	3Watt max.
Operating Temperature	-30°C to 70°C
Storage Temperature	-40°C to 95°C

• Permanent damage may occur if any of these limits are exceeded.

Dimension

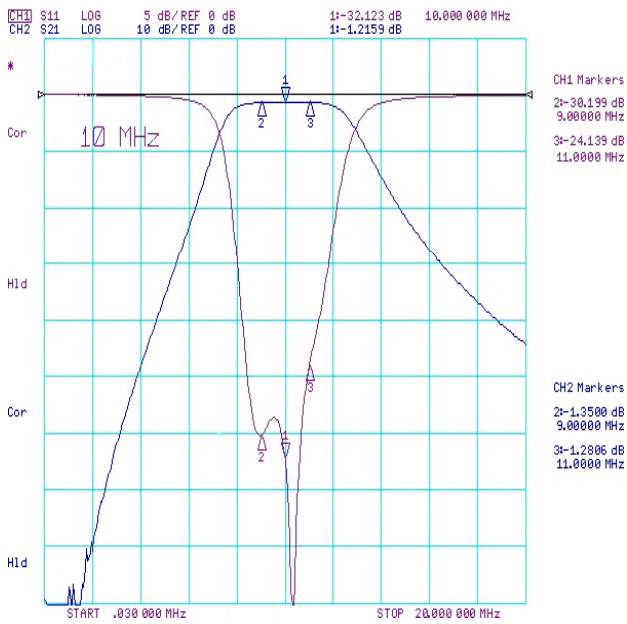


PCB Layout



Typical Performance Data at 25°C

- Insertion Loss, Ripple, Return Loss



- Attenuation

