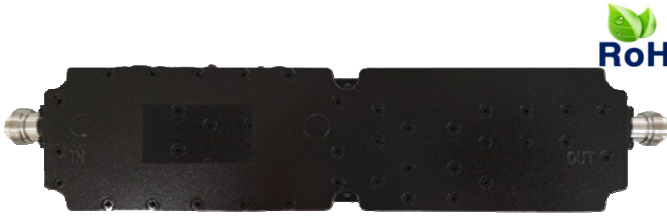


Ceramic Bandpass Filter 50Ω

ZC-1087.5-BW251MN



Features

- ROHS Compliant
- High power rating
- High rejection

Pricing

Quantity	Unit Price
1 ~ 10	₩ -
11 ~ 24	₩ -
25 ~ 49	₩ -
50 ~ 99	₩ -
100 ~	₩ -

Electrical Specifications

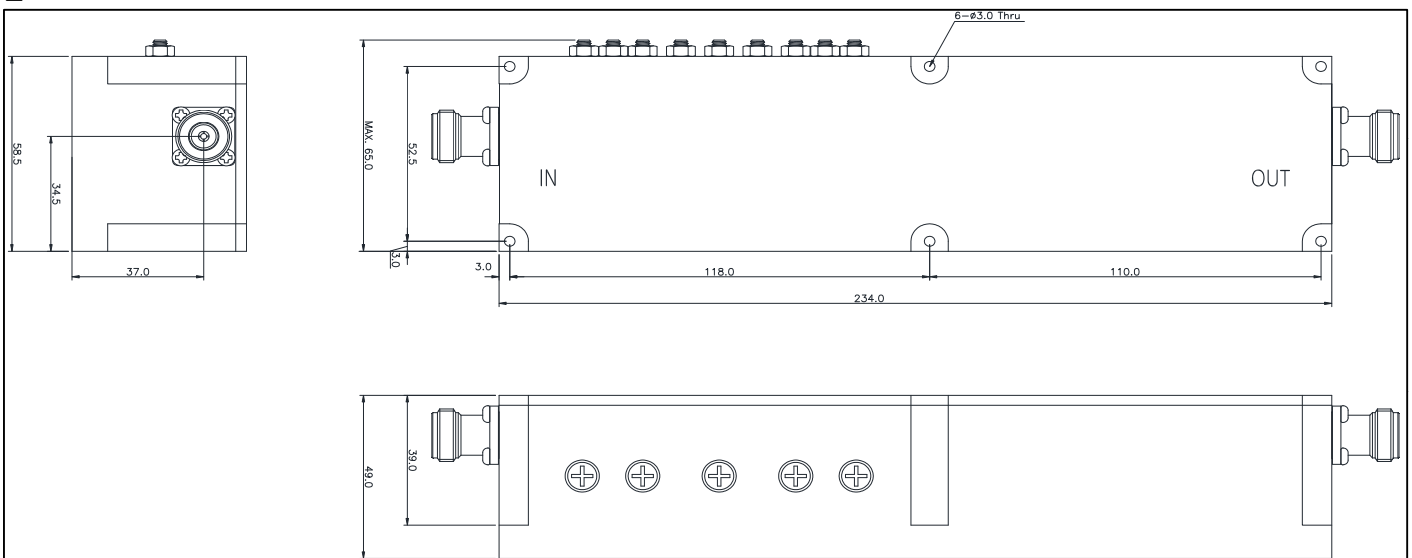
Parameter	Frequency (MHz)	Min.	Typ.	Max.	Unit
Center frequency	1087.5	-	1087.5	-	MHz
Bandwidth	251	962	-	1213	MHz
Insertion Loss	962 ~ 1213	-	0.15	0.3	dB
Ripple		-	0.1	0.5	dB
Return Loss		20.0	22.0	-	dB
Group Delay		-	-	-	ns
Group Delay Variation		-	-	-	ns
Attenuation	1600 ~ 9000	60.0	70.0	-	dB
	-	-	-	-	dB
	-	-	-	-	dB
	-	-	-	-	-
	-	-	-	-	-

Maximum Ratings

Input Power Handling	3Watt max.
Operating Temperature	-30°C to 70°C
Storage Temperature	-40°C to 95°C

• Permanent damage may occur if any of these limits are exceeded.

Dimension



For product information and a complete list of distributors, please go to our website

www.zenix08.com

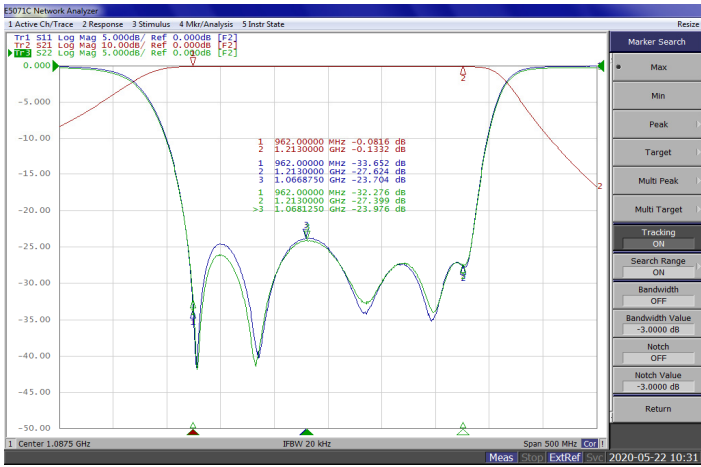
address : (Heungdeok IT Valley Tower-2111) 13, Heungdeok 1-ro, Giheung-gu, Yongin-si, Gyeonggi-do, Republic of Korea 16954

Tel : +82-31-8025-7100

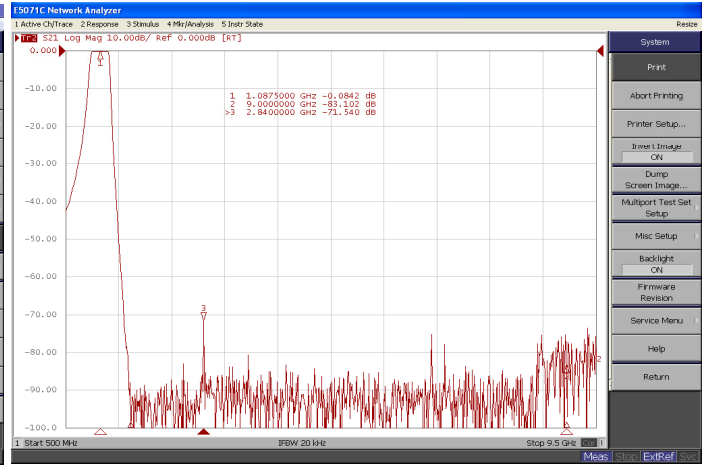
Fax : +82-31-8025-7200

■ Typical Performance Data at 25°C

- Insertion Loss, Ripple, Return Loss



- Attenuation



For product information and a complete list of distributors, please go to our website

www.zenix08.com

address : (Heungdeok IT Valley Tower-2111) 13, Heungdeok 1-ro, Giheung-gu, Yongin-si, Gyeonggi-do, Republic of Korea 16954

Tel : +82-31-8025-7100

Fax : +82-31-8025-7200