



Features

- ROHS Compliant
- High power rating
- High rejection

Pricing

Quantity	Unit Price
1 ~ 10	₩ 65,000
11 ~ 24	₩ 62,000
25 ~ 49	₩ 56,000
50 ~ 99	₩ 48,000
100 ~	₩ 36,000

Electrical Specifications

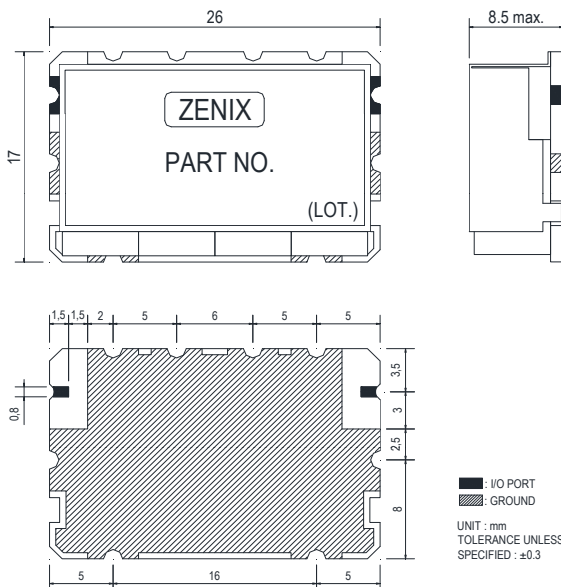
Parameter	Frequency (MHz)	Min.	Typ.	Max.	Unit
Center frequency	2345	-	2345	-	MHz
Bandwidth	45	2322.5	-	2367.5	MHz
Insertion Loss	2322.5 ~ 2367.5	-	1.8	2.5	dB
Ripple		-	0.2	0.3	dB
Return Loss		15.0	17.0	-	dB
Attenuation	2270	15.0	16.0	-	dB
	2420	15.0	16.0	-	dB
	-	-	-	-	-
	-	-	-	-	-

Maximum Ratings

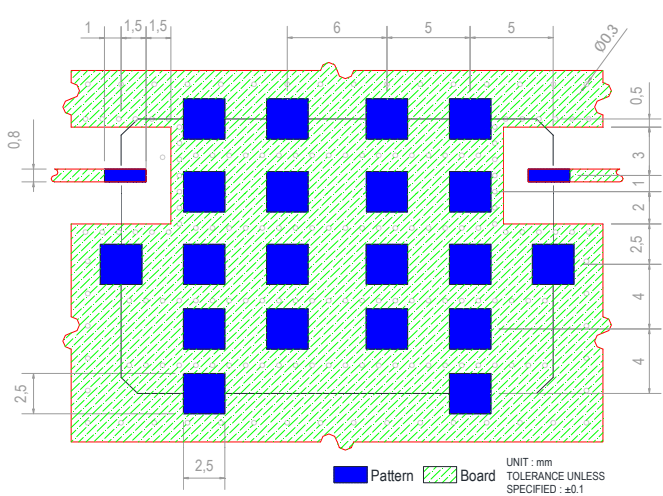
Input Power Handling	5Watt max.
Operating Temperature	-30°C to 70°C
Storage Temperature	-40°C to 95°C

• Permanent damage may occur if any of these limits are exceeded.

Dimension



PCB Layout



For product information and a complete list of distributors, please go to our website

www.zenix08.com

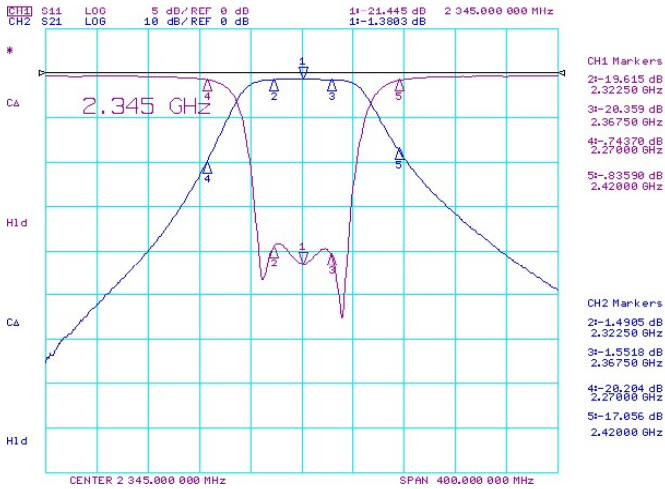
address : (Heungdeok IT Valley Tower-2111) 13, Heungdeok 1-ro, Giheung-gu, Yongin-si, Gyeonggi-do, Republic of Korea 16954

Tel : +82-31-8025-7100

Fax : +82-31-8025-7200

Typical Performance Data at 25°C

• Insertion Loss, Ripple, Return Loss, Attenuation



• Attenuation

